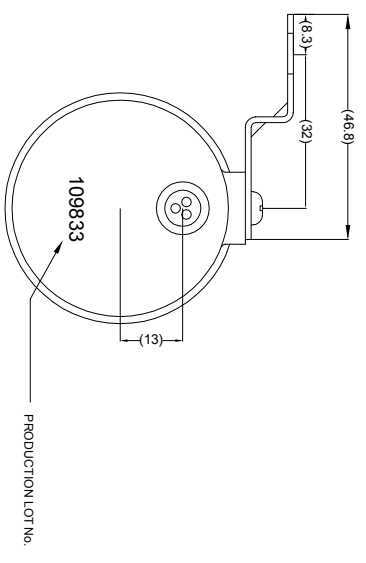
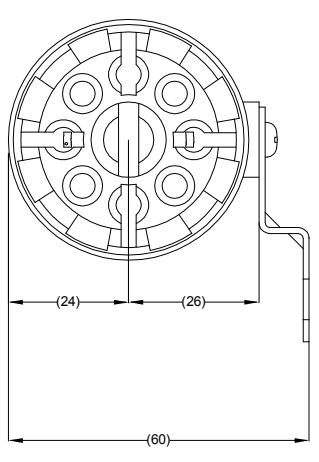
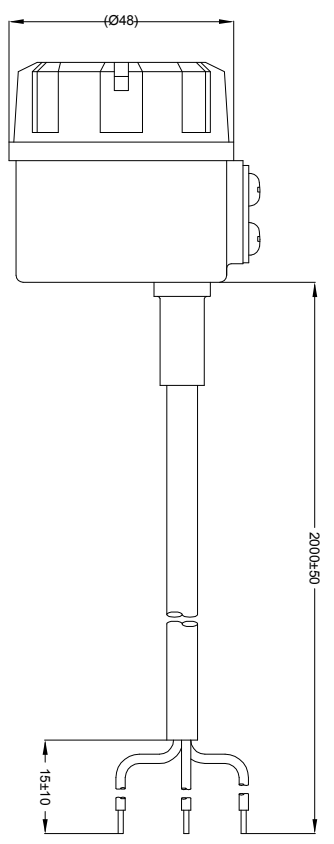
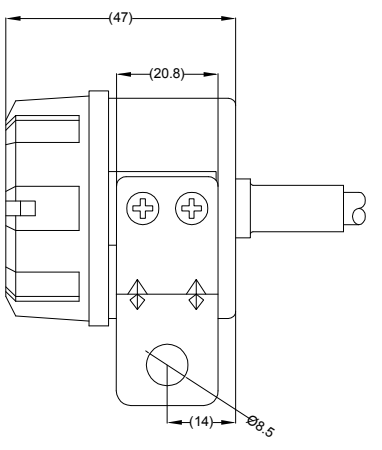


Revision Notes			
R1 - NOTES UPDATED TO INCLUDE LABEL DETAILS, STANDARDS UPDATED AS PER ECR CR- A274.			
AP: A. KILDA	Drawn/RBATES	Checked/M BUTLER	Approved/SALITH
			Date: 28/08/14

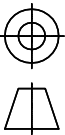


- SPECIFICATIONS:**
1. RATED VOLTAGE: 12-24 VOLTS DIRECT CURRENT
 2. WORKING VOLTAGE RANGE: 9 ~ 30 VOLTS DIRECT CURRENT
 3. RATED CURRENT: 20 MILLIAMPERES OR LESS AT RATED VOLTAGE.
 4. SOUND PRESSURE: 90±6dB AT RATED VOLTAGE (AS MEASURED AT A DISTANCE OF 1 METER AND AT A HEIGHT OF 1 METER ABOVE THE GROUND)
 5. FREQUENCY: 2400±300Hz AT RATED VOLTAGE
 6. VIBRATION RESISTANCE: TO SATISFY A REQUIREMENT OF 6.8G SPECIFIED FOR IIS 1601 TEST 3B.
 7. WATER RESISTANCE: TO RESIST WATER AND BE ABNORMALITY-FREE AS TESTED SUBJECT TO ITEM S1, JISD0203
 8. DURABILITY: CONSECUTIVE 200 HOURS AT RATED VOLTAGE.

- NOTES:**
1. FOR PRODUCT LABEL REFER TO LATEST REVISION OF DRAWING BE-002833-XX-14.
 2. FOR GIFTBOX LABEL REFER TO LATEST REVISION OF DRAWING BE-002834-XX-14.
 3. 'R' TRIANGLE INDICATES CHANGES MADE TO REVISION OF DRAWING AS IDENTIFIED IN REVISION NOTES.

PROPRIETARY NOTICE
 THIS DESIGN AND TECHNICAL INFORMATION APPEARING ON THIS DRAWING IS THE PROPERTY OF BRIGADE ELECTRONICS, AND IS DISCLOSED IN CONFIDENCE. IT IS NOT TO BE COPIED, REPRODUCED, REVEALED TO OR EXPROPRIATED BY OTHERS, EITHER IN WHOLE OR IN PART WITHOUT THE EXPRESS WRITTEN CONSENT OF BRIGADE ELECTRONICS.

BRIGADE®
 www.brigade-electronics.com

 Angle of Projection Third Angle	Assembly PI Approval		Approved by		Checked by		Drawn by		
	DKERAL		DKERAL		DKERAL		RBATES		
	Units	Scale	Released	Assembly Ref	Status	Part No			
	mm	N/A	00/00/00	-	RELEASED	#0677	CT-57TCA-2		
							BE-000309-01-05		

